

Feature & Function

This level indicator is assembling for indicating the Level Water Level Tank suction as Reservoir, Suction Tank and etc.

The scale and range is selectable and customize to the customer need. The material of housing is in Mild Steel and coated either by Hot-dipped galvanize or epoxy coating.

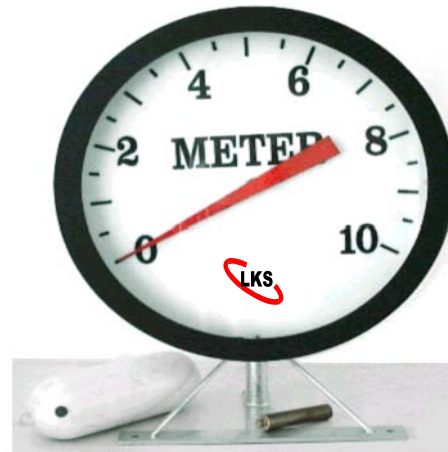
Specification

- Dial Size - 300mm, 400mm, 600mm and 900mm
- Indication Unit - Meters or feet
- Accuracy - 1% of full scale
- Zero Stability - +/- 0.5% of full scale
- Repeatability - +/- 0.5% of full scale
- Working Temp - Up to 80 °C
- Relative Humidity - 90% RH
- Optional- Back Cover
- And indicator dial with Luminous Marking
- Level Range - 0 ~ 3, 0 ~ 4, 0 ~ 5, 0 ~ 6, 0 ~ 8, 0 ~ 10, 0 ~ 15, 0 ~ 20 & 0 ~ 30 meter

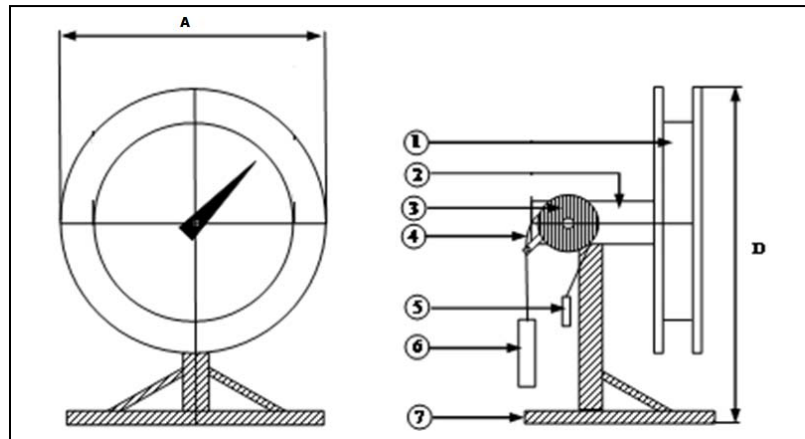
Application

Suitable for water and others Non-aggressive fluids.

Front View



Dimension

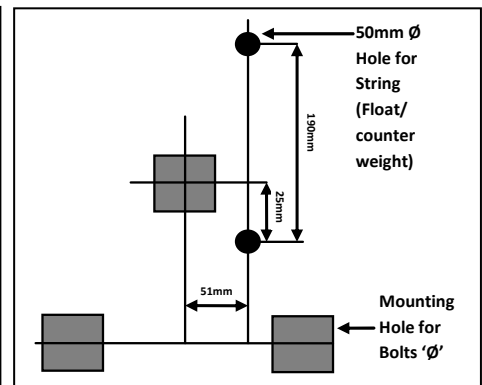


Reflective Text

Dial Size	A	D
300mm	400	470
400mm	500	622
600mm	700	857
900mm	1000	1168

Materials

No.	Parts	Material
1.	Casing	Mild Steel with Epoxy Coating/Hot-dipped Galvanize
2.	Gear	Brass or Stainless steel
3.	Pulley	Aluminum
4.	String	Nylon or Stainless Steel coated
5.	Counterweight	Brass or Stainless Steel or Cement
6.	Float	PVC or Stainless Steel
7.	Bracket	Mild Steel with Epoxy Coating/Hot-dipped Galvanize



Ordering Codes

Order Codes	Item Description
LI-	Mechanical Level Indicator
<u>Diameter Size & Body Coating</u>	
E12	12" (300mm)-Mild Steel with Epoxy coating
E16	16" (400mm)-Mild Steel with Epoxy coating
E24	24" (600mm)-Mild Steel with Epoxy coating
E36	36" (900mm)-Mild Steel with Epoxy coating
E48	48" (1200mm)-Mild Steel with Epoxy coating
E60	60" (1500mm)-Mild Steel with Epoxy coating
H12	12" (300mm)-Mild Steel with Hot-dipped Galvanize
H16	16" (400mm)-Mild Steel with Hot-dipped Galvanize
H24	24" (600mm)-Mild Steel with Hot-dipped Galvanize
H36	36" (900mm)-Mild Steel with Hot-dipped Galvanize
H48	48" (1200mm)-Mild Steel with Hot-dipped Galvanize
H60	60" (1500mm)-Mild Steel with Hot-dipped Galvanize
<u>Range</u>	
M10	0-10 meter (standard)
MXX	Others (Example: M06 is 0-6 meter range) <i>Range Available : 0 ~ 3, 0 ~ 4, 0 ~ 5, 0 ~ 6, 0 ~ 8, 0 ~ 10, 0 ~ 15, 0 ~ 20 and 0 ~ 30 meter</i>
FXX	Range in feet (Example: F20 is 0-20 feet range)
<u>Name Plate</u>	
12	12" (300mm)-Reflex Text Name Plate
16	16" (400mm)-Reflex Text Name Plate
24	24" (600mm)-Reflex Text Name Plate
36	36" (900mm)-Reflex Text Name Plate
48	48" (1200mm)-Reflex Text Name Plate
60	60" (1500mm)-Reflex Text Name Plate
<u>Float</u>	
P	PVC Float (Standard)
S	Stainless steel Float, SS316
<u>Rope</u>	
R	S/S Rope With Nylon Coated - 10meter/roll (Sell according to the range)
N	Nylon rope, 10 meter/roll (sell according to the range required)
<u>Weight</u>	
1	Brass Weight (Standard)
2	Cement Weight
3	Stainless Steel Weight
<u>Back Cover</u>	
B	Back cover (Standard) [4" from bottom dail to stand bracket]
0	Without back cover
<u>Stand</u>	
T	Stand (Standard) [4" from bottom dail to stand bracket]
XX	Additional Stand- per inch (Example: S06 is additional 6")
<u>Gear + Shaft</u>	
X	Brass Material (Standard)
Y	Stainless steel Material

Loop Transmit Signal

L 4-20mA Loop Signal (24VDC)

**Standard model : LI-H24M1024PR1BTX0 (24" Dial, Hot Dipped, 10meter, Reflex Text Name plate, PVC Float, Rope, Brass Weight, Back Cover, Stand, Gear)*

Distributor: